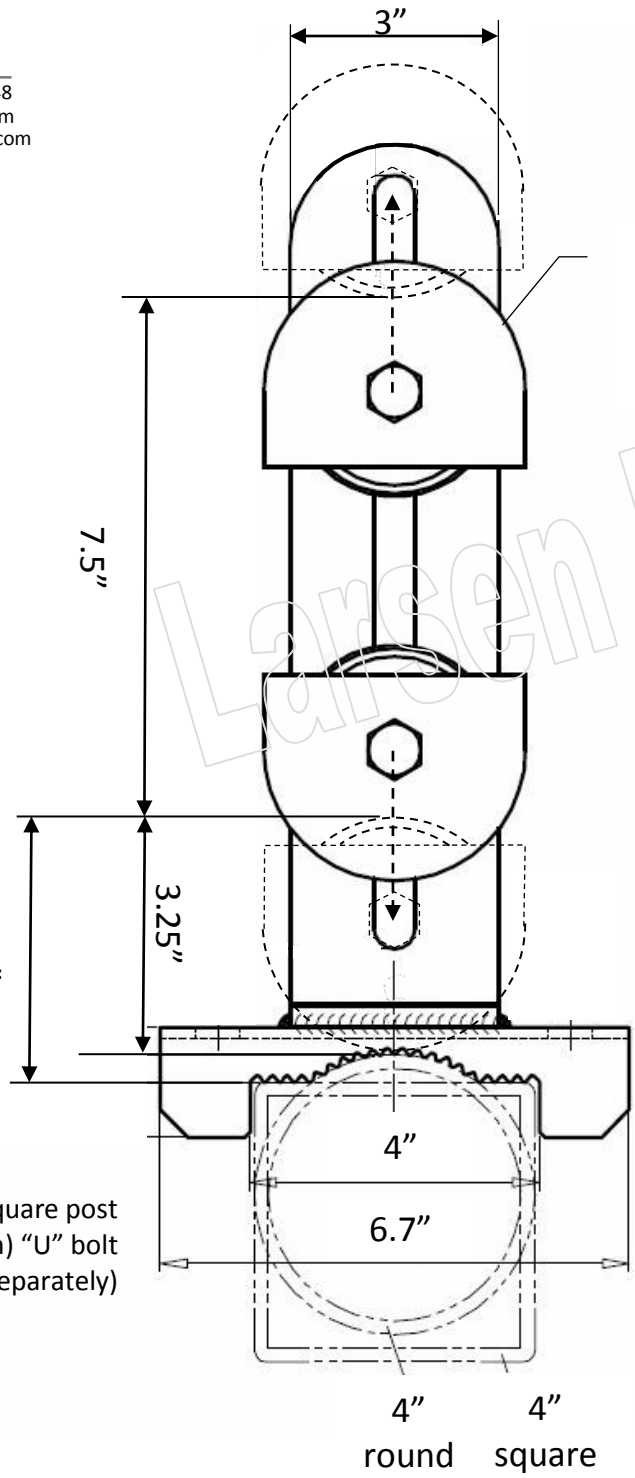




**LARSEN INNOVATIONS LLC**

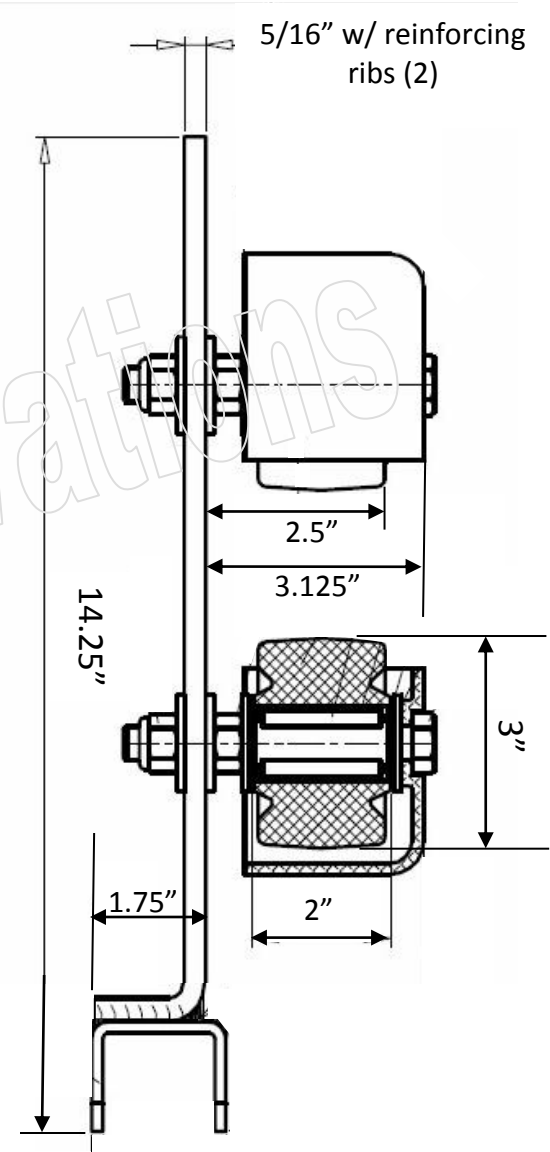
618 10th Street, Huntington Beach, CA 92648  
www.LarsenInnovations.com  
info@LarsenInnovations.com



Covers are included as required by ASTM 2200

Close Clearance Design.  
The first roller face can be positioned as close as 3.25" to the post accommodating a wide range of installation variables.

Mounts to round or square post with a single 1/2" (12mm) "U" bolt (sold separately)



**Accura™ 30921 Adjustable Bottom Guide Roller - 4" Post**  
**3"ø x 2" rollers w/ bearings** (Gates/posts by others - no scale)

Project:

Submitted by: