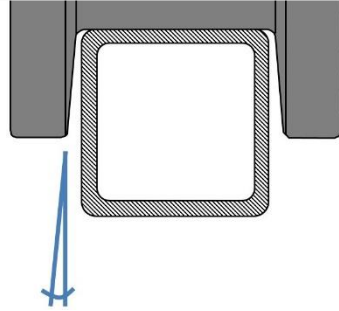


Accura Precision Hardware Product Detail Our PN 30857 - 4" Round x 2" SQ **ProAction™** Nylon External Cantilever Roller Set

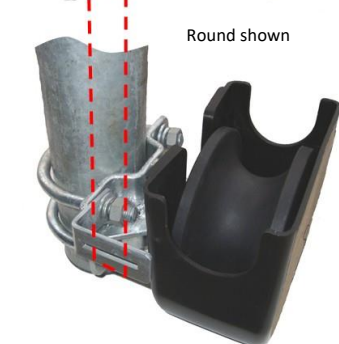
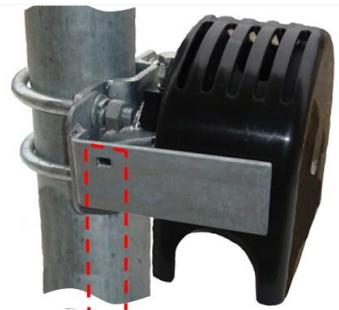
1. Patent Pending **ProAction** technology incorporates tapered side walls, **substantially** reducing drag on square frame gates.
2. Included covers, stops and brackets make it easy to comply with ASTM 2200 requirements for an infill panel for automated gates.
3. Full 7" dia Nylon rollers roll smoothly and easily extending the life of expensive operators. Compare to competing 6" plastic roller.
4. Maintenance free permanently sealed 62/28 ball bearing are protected by nylon dust covers.
5. Stops protect the cover from damage and from rollers getting knocked out of alignment by gate end stops striking them.
6. Vented covers are UV stabilized to work top or bottom. Preinstalled saving field labor and fixed in place by the set bolt and gussets.
7. 4" round bracket is easily adapted with custom U bolts to fit 2-7/8" or 3-1/2" round posts keeping your inventory flexible.
8. Three-way gusseted heavy duty 5/16" steel bracket design can be tightened securely without fear of cracking like a cast bracket.
9. 4000# reaction load rating.
10. Five year limited warranty (see warranty certificate for details.)

Included stops and bracket make it easy to add the infill panel required by ASTM 2200

Patent Pending **ProAction** Technology incorporates a tapered sidewall **substantially** reducing drag.



Packaged as a complete set of 4 saving site labor.



Sealed bearings (2) w/ nylon dust covers & stainless snap rings

7" dia precision turned monocast nylon roller.

Lateral adjustment

4000 LB reaction load Galv all steel bracket

Round shown

ProAction™ Technology
 design is **Patent Pending**.
 Graphite impregnated nylon
 roller – precision turned
 with exclusive tapered side
 walls virtually eliminate the
 sidewall drag and rubbing
 found on other square
 frame gate rollers.

Full ϕ 7" diameter with a
 4000lb reaction load rating.

Set bolt for alignment adjustment

4.09"
 (104mm)

1.34"
 (34mm)

ϕ 1.125" Axle
 (28mm)

Axle Cap

Stainless Snap Ring (2)

Nylon Dust Cover (2)

Permanently Lubricated
 Sealed Bearings (2)

3.98"
 (101mm)

UV Stabilized cover is pre-
 installed and meets ASTM
 2200 requirements

2.25"
 (57mm)

2" gate frame
 by others

4.9" \pm 0.08"
 (124mm \pm 3)

ProAction™
 Patent Pending
 Design - virtually
 eliminates side
 wall drag.

5/16" (8mm) galvanized steel
 bracket with 0.5" thick axle
 housing

Gussets on the SIDES as well as
 the bottom. Side gussets allow
 for tight clamping without the
 sides of the bracket fatiguing
 under bolt pressure or gate
 impact, insuring the bracket
 remains tight.

4" Round Post (by others)

Subject to change without notice
 Effective February 23, 2021
 © Larsen Innovations LLC 2021
 US Patent Pending
 Canadian Patent 2.791.499



LARSEN INNOVATIONS LLC

Huntington Beach, CA 92648
 www.LarsenInnovations.com
 info@LarsenInnovations.com

Accura™ 30857 External Nylon Cantilever	
ProAction™ SQ Gate Roller (Gates & Posts by others - no scale)	
Project:	
Submitted by:	