



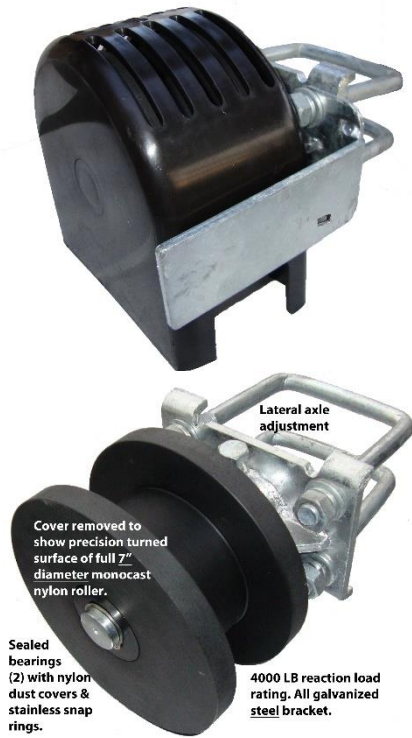
**LARSEN INNOVATIONS LLC**

Huntington Beach, CA 92648  
www.LarsenInnovations.com  
info@LarsenInnovations.com

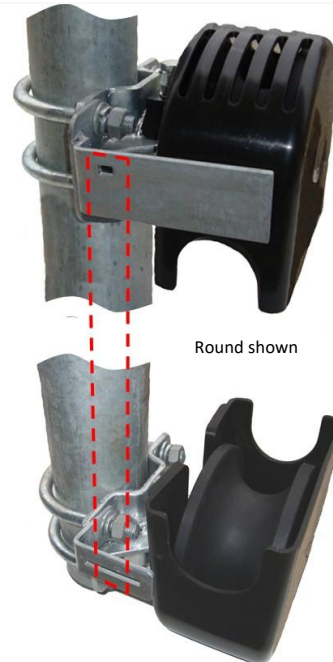
**Accura**  
Precision

**Accura Precision Hardware Product Detail** Our PN 30854 - 4" Sq x 2" SQ **ProAction™** Nylon External Cantilever Roller Set

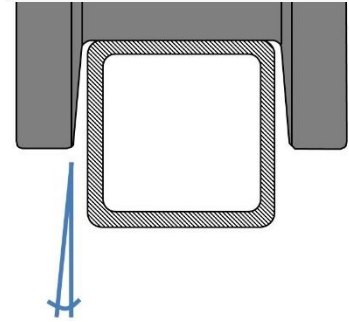
1. Rollers are packaged and priced in sets of 4 including pre-installed covers, stops (2) and protective panel bracket (1).
1. Patent Pending **ProAction** technology incorporates tapered side walls, **substantially** reducing drag on square frame gates.
2. Included covers, stops and brackets make it easy to comply with ASTM 2200 requirements for an infill panel for automated gates.
3. Full 7" dia Nylon rollers roll smoothly and easily extending the life of expensive operators. Compare to competing 6" plastic roller.
4. Maintenance free permanently sealed 62/28 ball bearing are protected by nylon dust covers.
5. Stops protect the cover from damage and from rollers getting knocked out of alignment by gate end stops striking them.
6. Vented covers are UV stabilized to work top or bottom. Preinstalled saving field labor and fixed in place by the set bolt and gussets.
7. Three-way gusseted heavy duty 5/16" steel bracket design can be tightened securely without fear of cracking like a cast bracket.
8. 4000# reaction load rating.
9. Five year limited warranty (see warranty certificate for details.)



Included stops and bracket make it easy to add the infill panel required by ASTM 2200



Patent Pending **ProAction** Technology incorporates a tapered sidewall **substantially** reducing drag.



Packaged as a complete set of 4 saving site labor.



Subject to change without notice  
Effective February 23, 2021  
© Larsen Innovations LLC 2021  
US Patent Pending  
Canadian Patent 2.791.499

Set bolt for alignment adjustment

1.34"  
(34mm)

5/16" (8mm) galvanized steel  
bracket with 0.5" thick axle  
housing gusseted 3 ways

**ProAction™ Technology**

design is **Patent Pending**.  
Graphite impregnated nylon  
roller – precision turned  
with exclusive tapered side  
walls virtually eliminate the  
sidewall drag and rubbing  
found on other square  
frame gate rollers.

Full  $\phi$  7" diameter with a  
4000lb reaction load rating.

$\phi$ 1.125" Axle  
(28mm)

Axle Cap

Stainless Snap Ring (2)

Nylon Dust Cover (2)

Permanently Lubricated  
Sealed Bearings (2)

UV Stabilized cover is pre-  
installed and meets ASTM  
2200 requirements

2" gate frame  
by others

**ProAction™**  
Patent Pending  
Design - virtually  
eliminates side  
wall drag.

4" Square Post (by others)

4.41"  $\pm$ 0.08"  
(112mm  $\pm$ 2)

Subject to change without notice  
Effective February 23, 2021  
© Larsen Innovations LLC 2021  
US Patent Pending  
Canadian Patent 2,791,499



**LARSEN INNOVATIONS LLC**

Huntington Beach, CA 92648  
www.LarsenInnovations.com  
info@LarsenInnovations.com

**Accura™ 30854 External Nylon Cantilever**

**ProAction™ SQ Gate Roller** (Gates & Posts by others - no scale)

Project:

Submitted by: