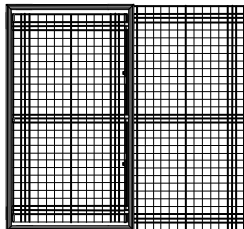


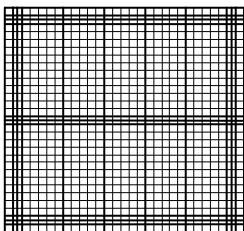
# V-Squared™ Kennel Assembly Instructions

## INCLUDED:

**1 each**  
Gate Panel  
*panel de*  
*puerta de*



**3 each**  
**(5 on 6 panel kennels)**  
Plain Panels  
*paneles lisos*



**1 each**  
Gate Panel Connector Set  
*Sistema del conector*  
*del panel de la puerta*  
PN 10221

**3 each**  
Wire Panel Connector Set  
*Sistema del conector*  
*del panel del alambre*  
PN 10210



[www.v2kennel.com](http://www.v2kennel.com)

Las instrucciones de descarga en español de nuestro sitio web.

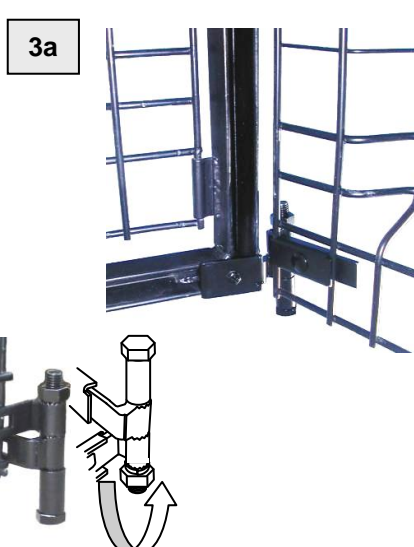
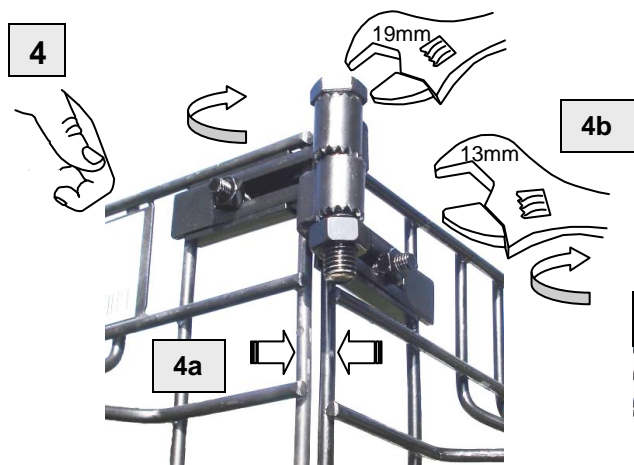
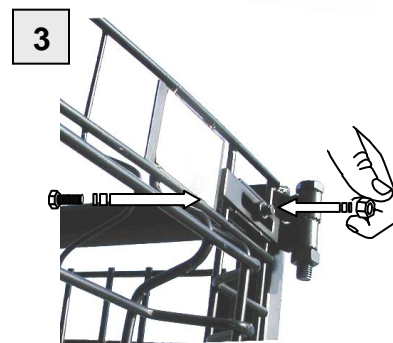
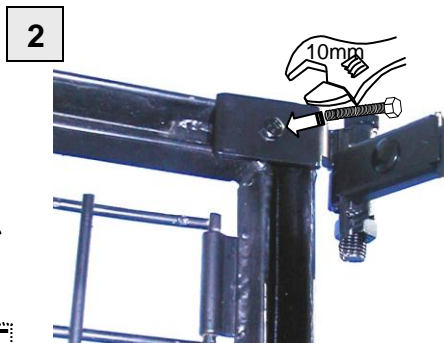
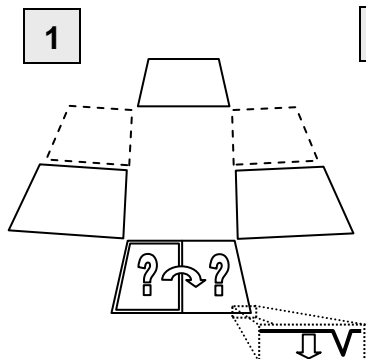
Télécharger les instructions en français sur notre site web.

**2 each (6 panel only)**

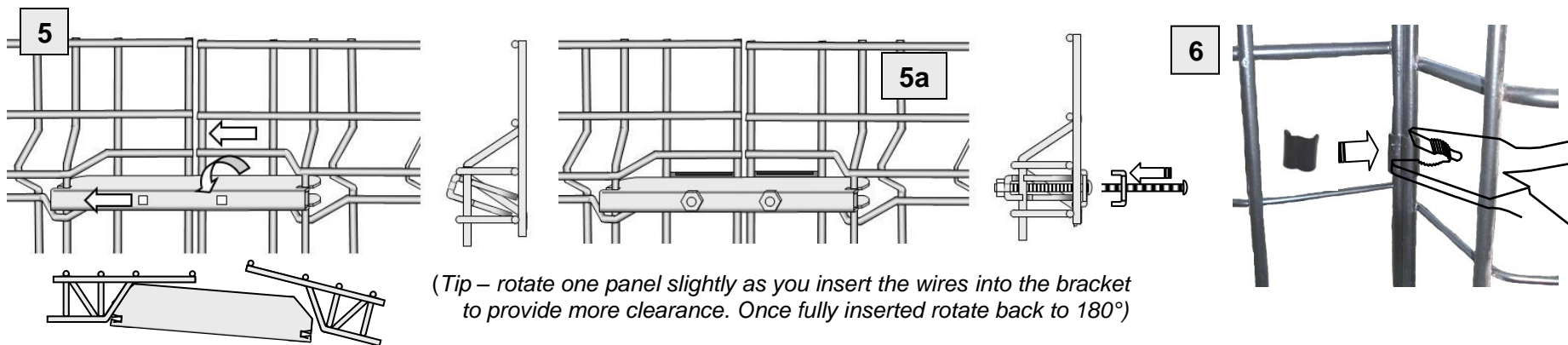
Kennel Wire Panel 180°  
Brace Set (2 braces)  
*Alambre de 180° Conector*  
*Grupo Conjunto*  
PN 10217



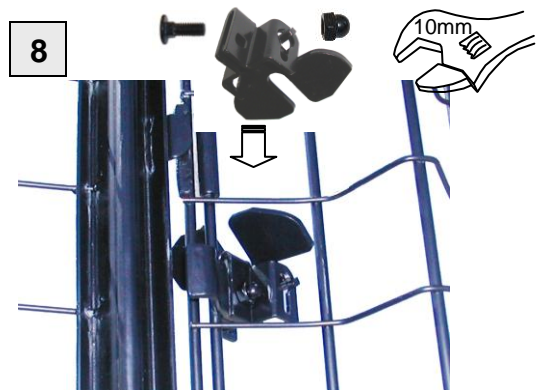
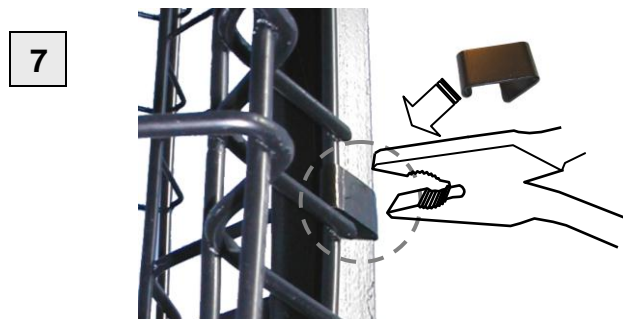
**(1<sup>st</sup> Tip – read all the instructions first!)**



1. Lay out your kennel with the “V” shaped bend pointed down. Use care not to scratch the powder coated surface. Decide if you want the gate left or right hand.
2. Start with the gate panel and bolt the brackets from 10221 into the threaded blocks welded into the gate frame. The vertical bolts are oriented outside the kennel. The bracket in each set with the extended bolt and spacer should be placed at the bottom. Note hardware is pre-assembled but if you have reversed the gate you will need to remove the center bolt and move the wire panel connection side of the bracket below the gate frame side on the top and above it at the bottom. Reinstall the center bolt with the spacer below the connection if you want the kennel raised off of the pavement (*Tip—easier to clean on pavement*) or above the connection if you want the kennel flush to the ground (*Tip—to discourage digging on turf*).
3. Stand the gate panel up and open the gate to help support the gate panel in an upright position. Attach the top of the first side panel to the gate panel by removing the horizontal bolt, placing the U shaped bracket inside the kennel and the flat side outside as shown. Hand-tighten the bolts. Repeat at the bottom. (3a) **(For 6 panel kennels skip to #5 then return to #4)**
4. Using the plain panel corner connectors (PN 10210) connect the remaining panels together working around the kennel until you return to the wire side of the gate panel. (*Tip – to reverse the position of the spacer simply turn the bracket over rather than removing the center bolt.*) (4a) pull the panels closely together and level then tighten (4b) the bolts on each of the connectors.



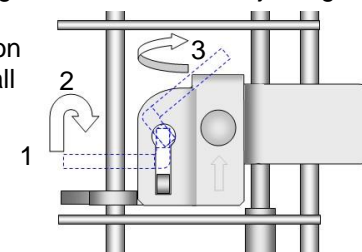
(Tip – rotate one panel slightly as you insert the wires into the bracket to provide more clearance. Once fully inserted rotate back to 180°)



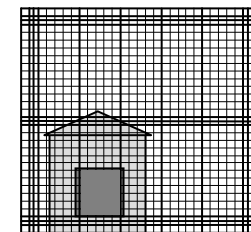
5. **6 panel kennel only** - Install a 180° connector bracket 10217 between both the top and bottom horizontal frames of panels to be joined in a straight line. The bracket must be tilted and rotated level as you bring the panels together, fully inserting the vertical wire into the notches of the brace. (5a) Align the horizontal wires and insert the U bracket with the bolts from the opposite side engaging the vertical wires and brace, then tighten bolts.
6. Snap the clips from the 10210 and 10217 hardware near the center of each wire to wire connection to eliminate any flex. 10210 have 2 size clips – use the one(s) that provides the most secure fit.
7. Snap the clip from the 10221 hardware between the center of the RF gate frame and the adjoining wire panel.
8. Rotate the latch tab open and install the flip latch from the 10221 set on the upper mounting tab of the gate latching mechanism using the small carriage bolt and cap nut.

Operate the latch by:

- (1) raise the fork straight up (2) roll it back (3) rotate the mechanism



*Tip – the vertical heavy wires make a great frame to cut a hole in the back or side panel of your kennel if you are considering placing a dog house outside the kennel. (Depending on the style of the doghouse you may want to have the panel “V” frames pointed in on this panel.) This gives your dog more room and also eliminates the opportunity to use the doghouse to climb over the top of the kennel. Saw cut the wires so they are flat (not snipped) being careful not to break the welds. Be sure to touch up the cut ends to prevent rusting. We recommend that you fasten the kennel wires to the dog house and make sure that there is little space between the doghouse door and the wire panel.*



Questions: visit our website [www.v2kennel.com](http://www.v2kennel.com)  
714-369-8033 8am-5pm M-F Pacific Time

**IMPORTANT NOTICE:** Not all pets can be trained for containment. Larsen Innovations LLC CANNOT guarantee that the kennel will contain a pet in all cases. If for any reason you believe that your pet could pose a danger to himself or others if it were able to breach the kennel you should not rely exclusively on the kennel for containment. In ALL cases pets should be monitored when first introduced to the kennel. Larsen Innovations LLC shall NOT be liable for any property damage, economic loss or consequential damages sustained as a result of any animal breaching the system. If you are unsure whether this is appropriate for your pet please consult your veterinarian or certified trainer.

**AVISO IMPORTANTE:** No todos los animales domésticos pueden ser entrenados para la contención. Larsen Innovations LLC NO PUEDE garantizar que la perrera contendrá un animal doméstico en todos los casos. Si por cualquier razón usted cree que su animal doméstico podría llegar a ser peligroso a si mismo u otros si pudiera escaparse de la perrera usted no debe confiar exclusivamente en la perrera para la contención. En TODOS LOS casos el animal doméstico debe ser supervisado cuando primero está introducido a la perrera. Larsen Innovations LLC no será obligado para ningunos daños materiales, pérdida económica o daños consecuente sostenidos como resultado de ningún animal que se escapa del sistema. Si usted no está seguro si esto es apropiado para su animal doméstico por favor consulte a su veterinario o amaestrador certificado.

© Larsen Innovations LLC 2012 All rights reserved

Patent Pending